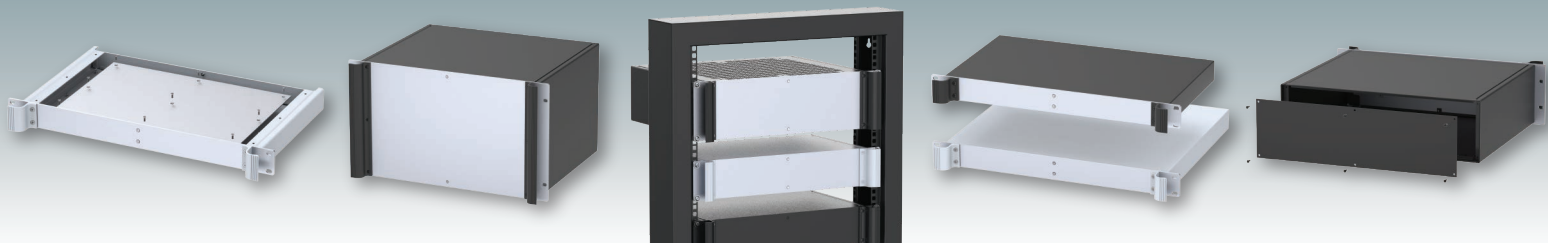
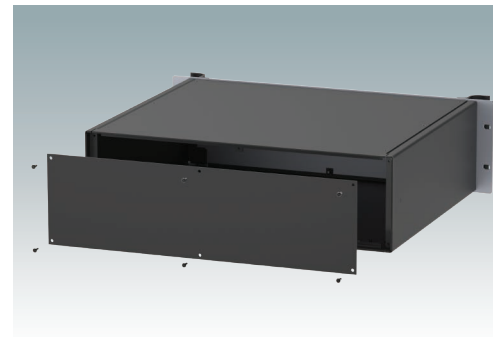
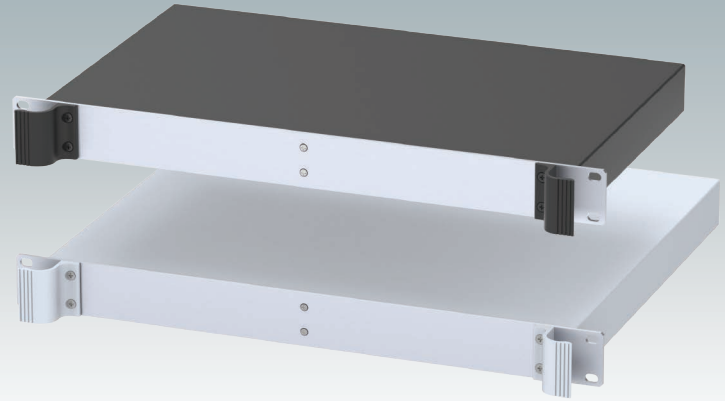


## COMBIMET 19"

Rack Mount Enclosures  
DIN 41494 | IEC 60297-3



# COMBIMET 19"



## COMBIMET 19" Rack Mount Enclosures

Versatile 19 inch rack mount cases in 1U to 6U sizes. Conforms to DIN 41494 and IEC 60297-3. Very modern design incorporating ergonomic front panel handles. Robust aluminum case body with removable top, base and rear panels. Top and base panels vented or unvented. 19" front panel in anodized aluminum. Mounting holes in base for PCBs and chassis. M4 earth studs on all components for electrical continuity. Order your own fully customized version.

## Standard colors

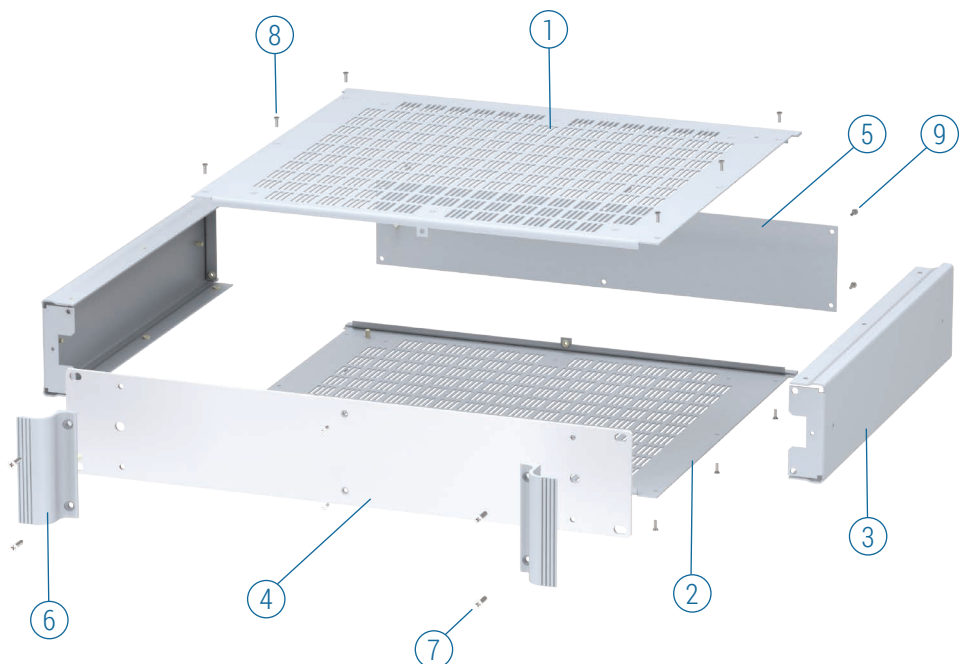
Light gray RAL 7035.  
Black RAL 9005.



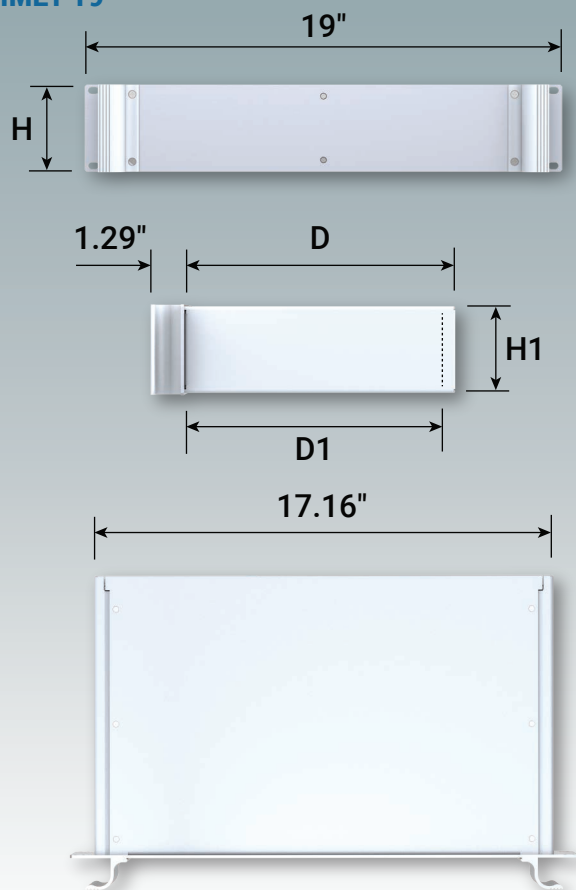
### Supply

- ① Top cover\*\*
- ② Base panel\*\*
- ③ Side panels
- ④ 19" front panel
- ⑤ Rear panel
- ⑥ Handles
- ⑦ M4 x 16 mm (x4/6)
- ⑧ M3 x 8 mm (x14/22)
- ⑨ M3 x 8 mm (x6)

\*\*unvented or vented



## COMBIMET 19"



## NON-VENTILATED CASES

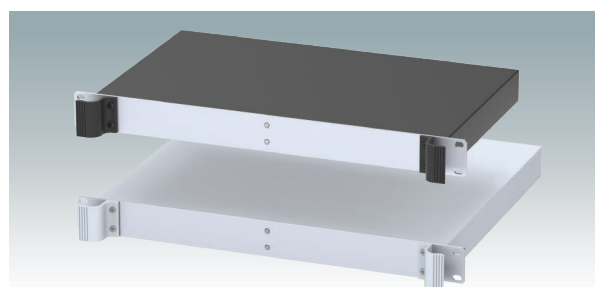
Part No.	Part No.	H	D	H1	D1
RAL 9005 ●	RAL 7035 ○				
<b>M 62 19 139</b>	<b>M 62 19 135</b>	1U	10.43"	1.58"	9.96"
<b>M 62 19 159</b>	<b>M 62 19 155</b>	1U	14.37"	1.58"	13.89"
<b>M 62 19 239</b>	<b>M 62 19 235</b>	2U	10.43"	3.33"	9.96"
<b>M 62 19 259</b>	<b>M 62 19 255</b>	2U	14.37"	3.33"	13.89"
<b>M 62 19 339</b>	<b>M 62 19 335</b>	3U	10.43"	5.08"	9.96"
<b>M 62 19 359</b>	<b>M 62 19 355</b>	3U	14.37"	5.08"	13.89"
<b>M 62 19 439</b>	<b>M 62 19 435</b>	4U	10.43"	6.83"	9.96"
<b>M 62 19 459</b>	<b>M 62 19 455</b>	4U	14.37"	6.83"	13.89"
<b>M 62 19 539</b>	<b>M 62 19 535</b>	5U	10.43"	8.58"	9.96"
<b>M 62 19 559</b>	<b>M 62 19 555</b>	5U	14.37"	8.58"	13.89"
<b>M 62 19 639</b>	<b>M 62 19 635</b>	6U	10.43"	10.33"	9.96"
<b>M 62 19 659</b>	<b>M 62 19 655</b>	6U	14.37"	10.33"	13.89"

## VENTILATED CASES

Part No.	Part No.	H	D	H1	D1
RAL 9005 ●	RAL 7035 ○				
<b>M 62 19 149</b>	<b>M 62 19 145</b>	1U	10.43"	1.58"	9.96"
<b>M 62 19 169</b>	<b>M 62 19 165</b>	1U	14.37"	1.58"	13.89"
<b>M 62 19 249</b>	<b>M 62 19 245</b>	2U	10.43"	3.33"	9.96"
<b>M 62 19 269</b>	<b>M 62 19 265</b>	2U	14.37"	3.33"	13.89"
<b>M 62 19 349</b>	<b>M 62 19 345</b>	3U	10.43"	5.08"	9.96"
<b>M 62 19 369</b>	<b>M 62 19 365</b>	3U	14.37"	5.08"	13.89"
<b>M 62 19 449</b>	<b>M 62 19 445</b>	4U	10.43"	6.83"	9.96"
<b>M 62 19 469</b>	<b>M 62 19 465</b>	4U	14.37"	6.83"	13.89"
<b>M 62 19 549</b>	<b>M 62 19 545</b>	5U	10.43"	8.58"	9.96"
<b>M 62 19 569</b>	<b>M 62 19 565</b>	5U	14.37"	8.58"	13.89"
<b>M 62 19 649</b>	<b>M 62 19 645</b>	6U	10.43"	10.33"	9.96"
<b>M 62 19 669</b>	<b>M 62 19 665</b>	6U	14.37"	10.33"	13.89"

## NON-VENTILATED, SOLID TOP PANEL CASES

Part No.	Part No.	H	D	H1	D1
RAL 9005 ●	RAL 7035 ○				
<b>M 62 19 119</b>	<b>M 62 19 115</b>	1U	10.43"	1.58"	9.96"
<b>M 62 19 129</b>	<b>M 62 19 125</b>	1U	14.37"	1.58"	13.89"



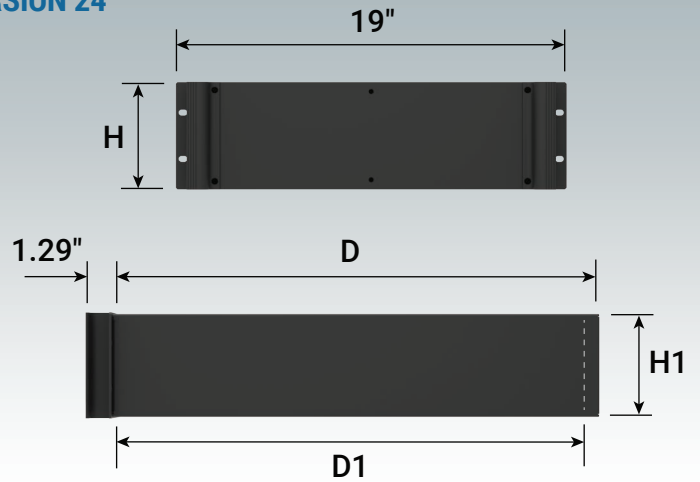
For full 2D drawings and 3D models please see our website.

# COMBIMET 19"



Front panel painted black, RAL 9005

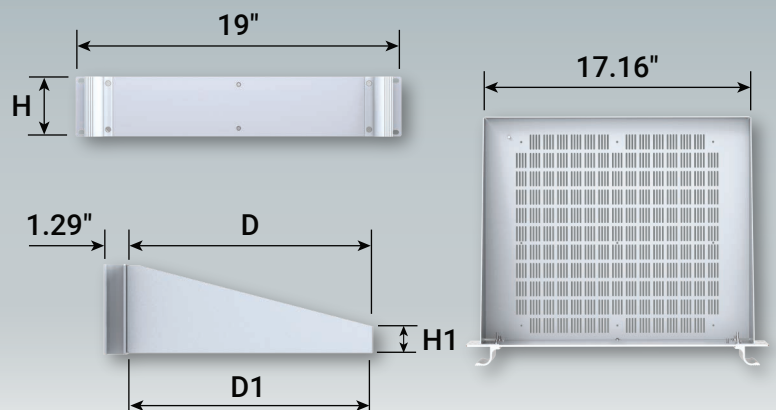
## VERSION 24"



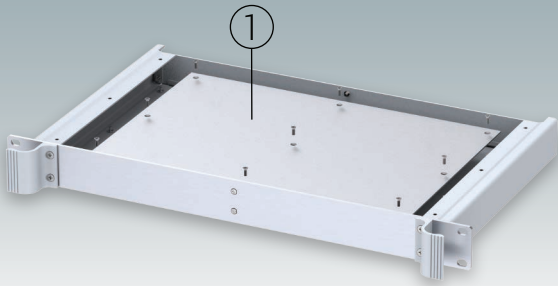
Part No.	With ventilation	H	D	H1	D1	Case width
RAL 9005 ●						
<b>M 62 19 179</b>		1U	24"	1.58"	23.53"	17.16"
<b>M 62 19 189</b>	●	1U	24"	1.58"	23.53"	17.16"
<b>M 62 19 279</b>		2U	24"	3.33"	23.53"	17.16"
<b>M 62 19 289</b>	●	2U	24"	3.33"	23.53"	17.16"
<b>M 62 19 379</b>		3U	24"	5.08"	23.53"	17.16"
<b>M 62 19 389</b>	●	3U	24"	5.08"	23.53"	17.16"
<b>M 62 19 479</b>		4U	24"	6.83"	23.53"	17.16"
<b>M 62 19 489</b>	●	4U	24"	6.83"	23.53"	17.16"
<b>M 62 19 579</b>		5U	24"	8.58"	23.53"	17.16"
<b>M 62 19 589</b>	●	5U	24"	8.58"	23.53"	17.16"
<b>M 62 19 679</b>		6U	24"	10.33"	23.53"	17.16"
<b>M 62 19 689</b>	●	6U	24"	10.33"	23.53"	17.16"



## VERSION T



Part No.	Part No.	H	D	H1	D1
RAL 9005 ●	RAL 7035 ○				
<b>M 61 19 239</b>	<b>M 61 19 235</b>	2U	14.37"	1.57"	14.31"
<b>M 61 19 339</b>	<b>M 61 19 335</b>	3U	14.37"	1.57"	14.31"

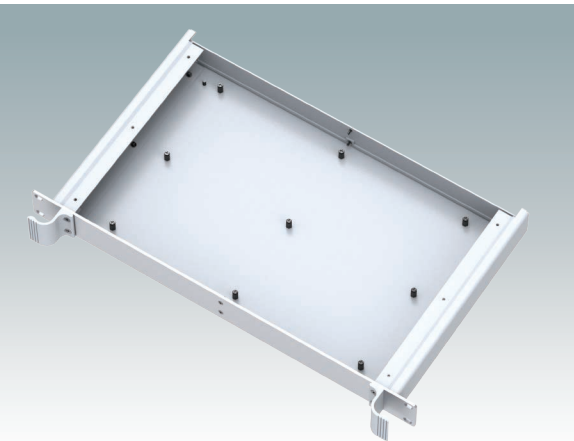


## Mounting Plate Kit

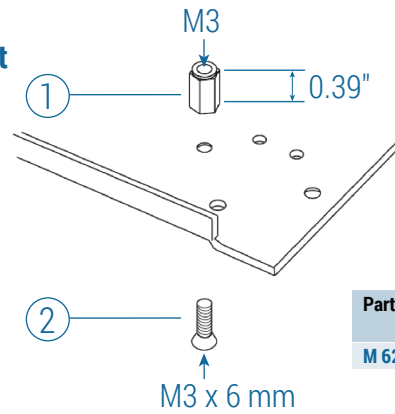
**Material:** 0.06" aluminum  
**Finish:** natural



Part No.	Supply	For case depth (D)	Width	Depth
M 62 00 265	①, ② x 9, ③ x 18	10.43"	13.19"	9.05"
M 62 00 365	①, ② x 9, ③ x 18	14.37"	13.19"	12.99"



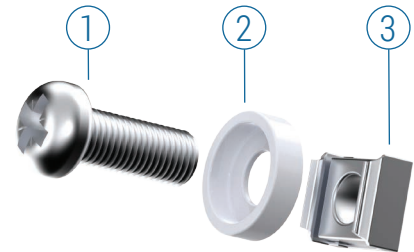
## PCB Mounting Kit



Part No.	Supply
M 62 00 265	①+② x 10

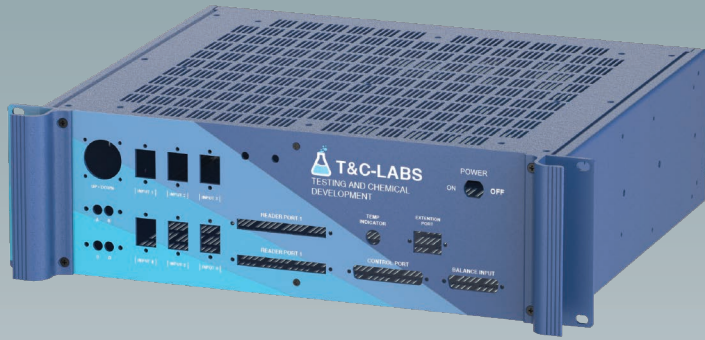


## 19" Mounting Kit



Part No.	Supply	Colors
M 60 00 035	①+②+③ x 4	RAL 7035 ②
M 59 00 016	①+②+③ x 4	RAL 9005 ②
M 59 00 018	①+②+③ x 4	RAL 9005 ①②

# COMBIMET 19" | CUSTOMIZED VERSIONS



## Order your own customized version

We can supply the COMBIMET 19" enclosures fully customized to your individual technical specifications.

All external dimensions – height, width and depth – can be modified to ensure your PCB assemblies and equipment will fit exactly.

The enclosures and front panels can be machined with holes and cutouts for fitting displays, keypads, HMI touch panels, control buttons and connections.

Other services include adding inserts and screw bosses; custom colors and finishes; digital and silk-screen printing, and engraving.

Having a flexible manufacturing system allows us to offer competitive prices even for small quantities. Do not hesitate to ask us for a quotation.

Our sales team will be very happy to discuss your requirements and help you specify your COMBIMET 19" enclosures exactly as you need them.



# METcase™

## MANUFACTURER

Metcase Enclosures  
A division of:  
OKW Enclosures Ltd.  
15 Brunel Way  
Segensworth East  
Fareham, Hampshire  
PO15 5TX  
United Kingdom

Telephone: +44 (0) 1489 583858  
Email: [sales@metcase.co.uk](mailto:sales@metcase.co.uk)  
Website: [www.metcase.co.uk](http://www.metcase.co.uk)

© OKW Enclosures Ltd. All rights reserved  
Catalog Edition 1.3 – June 2025.  
This catalog will be valid until 31/12/2027.  
Subject to technical modifications without notice.  
Typographical and other errors do not justify any  
claim for damages.  
Digital Version: 06/2025e

## Presented by:



**OKW Enclosures, Inc.**  
3000 Old Pond Road,  
Bridgeville, PA 15017  
Phone: (412) 220 9244  
Toll Free: (800) 965 9872  
Email: [sales@metcaseusa.com](mailto:sales@metcaseusa.com)

[www.metcaseusa.com](http://www.metcaseusa.com)