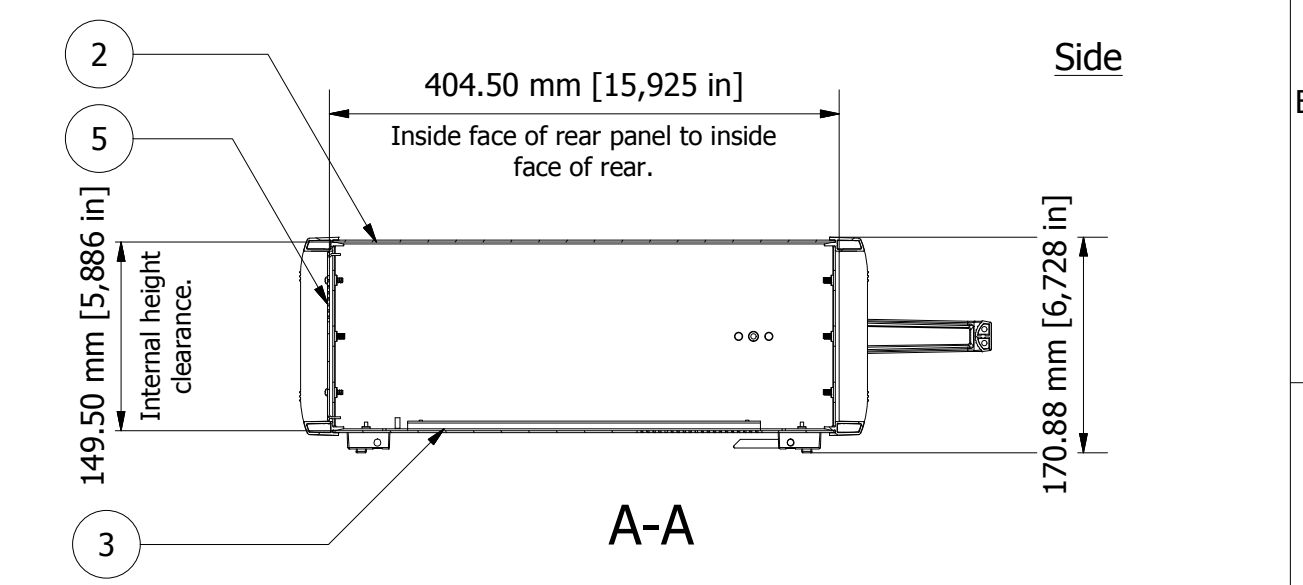
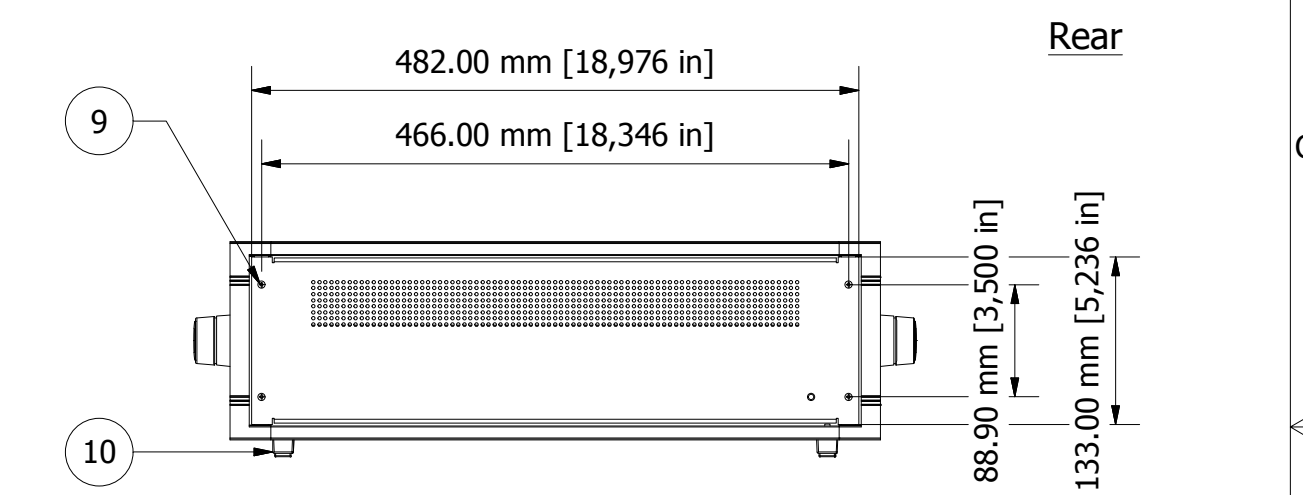


PARTS LIST			
ITEM	QTY	PART NUMBER	DESCRIPTION
1	2	M6000004	Bezel
2	1	M6001008	Top Cover
3	2	M6002021	Sub Rack Support Runner
4	1	M6002004	Base Panel
5	1	M6003002	Rear Panel
6	1	M6000029	Carry Handle
7	10	M3 x 8 mm CSK Screw	Base Panel Screws
8	8	M4 x 10 mm CSK Screw	Bezel Fixing Screws
9	4	M4 x 12 mm Pan Screw	Rear Panel Screws
10	2	M5600045	Molded Tilt Feet



Notes:

- 1) Case is fabricated from 1.5 mm aluminium sheet with die cast & extrusion bezels.
- 2) Case is powder coat painted fine texture with RAL 7040 bezels and RAL 7035 panel work.
- 3) All parts have an M4 x 10 mm stud for earthing points.
- 4) The side grip handles are moulded ABS RAL 7035.

© OKW Enclosures Ltd (Date as shown). This drawing contains proprietary information of OKW Enclosures Ltd and is tendered subject to the following conditions. The information be retained in confidence, not be reproduced or copied, and not be used or incorporated in any product, unless permission is obtained in writing from OKW Enclosures Ltd.

FIRST ANGLE PROJECTION

Designed by L Clark	Description Instrumet 3U x 19" x 450 mm - Carry Handle	Date 25/01/2013	Scale 1:6
------------------------	---	--------------------	--------------

METCASE ENCLOSURES 15 Brunel Way, Segensworth East, Fareham, Hampshire, UK. PO15 5TX Tel: +44 (0)1489 583858 Email: metcase@okw.co.uk		www.metcase.com	
		Part Number M6019335	Issue 1